

## SACB-4/ 8-L-SC

Order No.: 1680568



<http://eshop.phoenixcontact.de/phoenix/treeViewClick.do?UID=1680568>

Sensor/actuator box, M12 female connector, 4 Slots, 5-position, pnp, Status indication: Yes; Master cable: Spring-cage conn., Shielded: No

Commercial data	
EAN	4017918169756
Pack	1 pcs.
Customs tariff	85366990
Weight/Piece	0.105 KG
Catalog page information	Page 115 (PC-2009)

### Product notes

WEEE/RoHS-compliant since:  
01/24/2007



<http://www.download.phoenixcontact.com>  
Please note that the data given here has been taken from the online catalog. For comprehensive information and data, please refer to the user documentation. The General Terms and Conditions of Use apply to Internet downloads.

Technical data	
<b>General data</b>	
Nominal voltage $U_N$	24 V DC
Max. operating voltage $U_{max}$	30 V DC
Max. current carrying capacity per path	2 A
Current carrying capacity per slot	4 A

SACB total current	12 A
Number of positions	5
Number of slots	4
Degree of protection	IP65/IP67
Inflammability class acc. to UL 94	V0
Ambient temperature (operation)	-25 °C ... 75 °C
Sensor/actuator connection system	M12 female connector

#### Local diagnostics function

Local diagnostics	Supply voltage per module LED green
	Status display I/O Yellow LED

#### Master cable data

Type of connection	Spring-cage conn.
Conductor cross-section min. (signal)	0.14 mm <sup>2</sup>
Conductor cross-section max. (signal)	1 mm <sup>2</sup>
Conductor cross-section AWG min. (signal)	26
Conductor cross-section AWG max. (signal)	17
Conductor cross-section min. (energy)	0.2 mm <sup>2</sup>
Conductor cross-section max. (energy)	1.5 mm <sup>2</sup>
Conductor cross-section AWG min. (energy)	24
Conductor cross-section AWG max. (energy)	16
External cable diameter min.	6.5 mm
External cable diameter max.	9.5 mm
Stripping length	10 mm
Tightening torque slot sensor/actuator cable	0.4 Nm
Tightening torque screw plug	0.4 Nm

#### Insulation material

Housing material	PA
Contact material	CuSn
Contact surface material	Ni/Au
Contact carrier material	PA
Material of contact, master cable side	CuZn
Material of contact surface, master cable side	NiSn
Material of the contact carrier on the master cable side	PA 66 V0
Material, O-ring	NBR

**Pin assignment**

Slot/position = Wire color or connection	1 / 4 (A) = 1 / 4
	1 / 2 (B) = 1 / 2
	2 / 4 (A) = 2 / 4
	2 / 2 (B) = 2 / 2
	3 / 4 (A) = 3 / 4
	3 / 2 (B) = 3 / 2
	4 / 4 (A) = 4 / 4
	4 / 2 (B) = 4 / 2
	1-4 / 1 (+ 24 V) = U <sub>N</sub>
	1-4 / 3 (0 V) = 0 V
	1-4 / 5 (PE) = PE

**Certificates / Approvals**



Certification CUL, GOST, UL

**CUL**

Nominal voltage U <sub>N</sub>	24 V
AWG/kcmil	22-16

**UL**

Nominal voltage U <sub>N</sub>	24 V
AWG/kcmil	22-16

**Accessories**

Item	Designation	Description
<b>General</b>		
1503357	SACB- 8X0,5/ 3X1,0-50,0 PUR	Master cable for sensor/actuator boxes, with PE conductor, unshielded, material PUR/PVC, 11-pos., 8 x 0.50 mm <sup>2</sup> and 3 x 1.00 mm <sup>2</sup> , length: 50 m
<b>Grommet</b>		
1680377	SACB-D PG 13,5 (4,0-6,5) YE	Rubber seal for Pg screw connection 13.5, for conductor diameter 4.0 mm ... 6.5 mm

1680380	SACB-D PG 13,5 (6,5-9,5) BK	Rubber seal for Pg screw connection 13.5, for conductor diameter 6.5 mm ... 9.5 mm
1680393	SACB-D PG 13,5 (9,0-13,0) RD	Rubber seal for Pg screw connection 13.5, for conductor diameter 9.0 mm ... 13.0 mm

**Marking**

2809128	ZBN 18:UNBEDRUCKT	Unprinted marker labels, strips with 5 labels for individual labeling with M-PEN or CMS system, for terminal block width: 17.5 mm, color: White
---------	-------------------	---

**Protection and sealing elements**

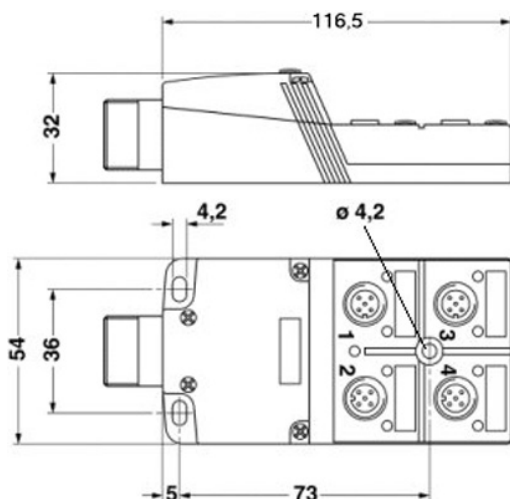
1680539	PROT-M12	An M12 screw plug for the unoccupied M12 sockets of the sensor/ actuator cable, boxes and flush-type connectors
---------	----------	---

**Tools**

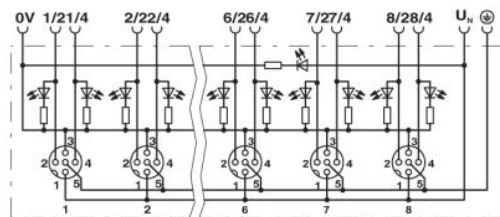
1208432	SAC BIT M12-D15	Nut for mounting sensor/actuator cables with M12 connectors and for M12 connectors with QUICKON fast connection technology, for 4 mm hexagonal screwdriver
1208445	SACC BIT M12-D20	Nut for mounting freely assembled SACC M12 connectors, with the exception of QUICKON fast connection technology, for 4 mm hexagonal screwdriver
1206450	SZK PZ1	Screwdriver, suitable for Phillips screws Pozidriv/Supadriv, size: 1
1208429	TSD 04 SAC	Torque screwdriver, with preset torque of 0.4 Nm and 4 mm hexagonal drive

**Diagrams/Drawings**

Dimensioned drawing

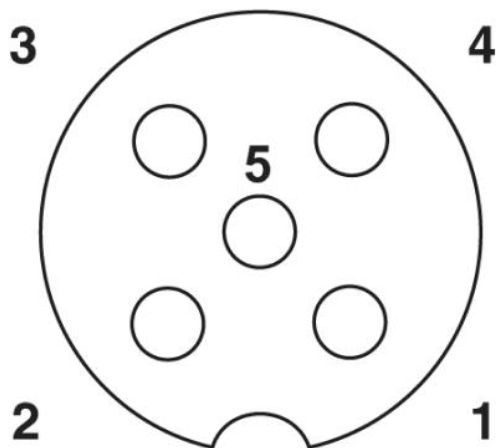


Circuit diagram



Schematic diagram

M12 slot, socket, 5-pos.



**Address**

PHOENIX CONTACT Inc., USA  
586 Fulling Mill Road  
Middletown, PA 17057, USA  
Phone (800) 888-7388  
Fax (717) 944-1625  
<http://www.phoenixcon.com>



© 2010 Phoenix Contact  
Technical modifications reserved;